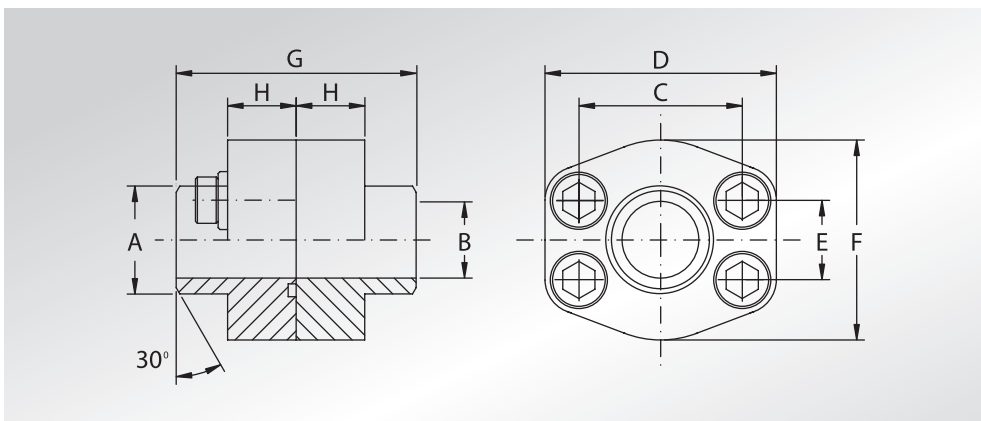




**DOPPIE FLANGE  
A SALDARE  
DI TESTA  
SCH.80; SCH.160;  
SCH.XXS**

**WELD ON  
DOUBLE FLANGES  
SCH.80; SCH.160;  
SCH.XXS**



Pressione max di esercizio raccomandata Kg/cm <sup>2</sup> (Riferito alla SCH80)	Grandezza	Tipo	Dimensioni										Viti		Or tipo	Peso Kg (Riferito alla SCH80)			
Maximum recommended working pressure Kg/cm <sup>2</sup> (Referred to SCH80)	Size	Type	Dimensions										Screws		Or type	Weight Kg (Referred to SCH80)			
			A	B	C	D	E	F	G	H		Metric	Unc						
<b>SERIE 3000</b>			<b>SCH.80</b>	<b>SCH.160</b>	<b>SCH.XXS</b>														
345	1/2"	DFS080ST	21,5	13	11,8	6,3	38,10	57	17,48	46	72	32	M8x30	5/16"x1"1/4	4075	0,55			
345	1/2"	DFS080ST038	17,5	13	—	—	38,10	57	17,48	46	72	32	M8x30	5/16"x1"1/4	4075	0,51			
345	3/4"	DFS100ST	28,0	19	15,6	11,0	47,63	65	22,23	50	72	36	M10x35	3/8"x1"1/2	4100	0,86			
345	1"	DFS102ST	34,0	25	20,7	15,2	52,37	70	26,19	55	76	36	M10x35	3/8"x1"1/2	4131	0,98			
276	1"1/4	DFS104ST	42,8	32	29,5	22,8	58,72	79	30,18	68	82	42	M10x40	7/16"x1"3/4	4150	1,47			
207	1"1/2	DFS106ST	48,6	38	34	28,0	69,85	93	35,71	78	88	50	M12x45	1/2"x1"3/4	4187	2,23			
207	2"	DFS108ST	61,0	51	42,8	38,2	77,77	102	42,88	90	90	50	M12x45	1/2"x1"3/4	4225	2,56			
172	2"1/2	DFS110ST	77,0	63	54	45,0	88,90	114	50,80	105	100	50	M12x45	1/2"x1"3/4	4275	3,38			
138	3"	DFS112ST	92,0	73	67,7	58,4	106,38	134	61,93	124	100	54	M16x50	5/8"x2"	4337	5,18			
34	3"1/2	DFS114ST	103,0	89	—	—	120,65	152	69,85	136	96	54	M16x50	5/8"x2"	4387	5,23			
34	4"	DFS116ST	115,5	99	87,3	80,0	130,18	162	77,77	146	96	54	M16x50	5/8"x2"	4437	6,22			
34	5"	DFS118ST	140,2	120	109,5	102,9	152,40	184	92,08	180	100	56	M16x55	5/8"x2"1/4	4537	12,12			
<b>SERIE 6000</b>			<b>SCH.80</b>	<b>SCH.160</b>	<b>SCH.XXS</b>														
414	1/2"	DFS401ST012	21,5	13	11,8	6,3	40,49	57	18,24	46	72	32	M8x30	5/16"x1"1/4	4075	0,55			
414	1/2"	DFS401ST038	17,5	13	—	—	40,49	57	18,24	46	72	32	M8x30	5/16"x1"1/4	4075	0,51			
414	3/4"	DFS402ST	28,0	19	15,6	11,0	50,80	71	23,80	55	70	42	M10x40	3/8"x1"1/2	4100	1,13			
414	1"	DFS403ST	34,0	25	20,7	15,2	57,15	79	27,76	68	82	42**	M12x45	7/16"x1"3/4	4131	1,54			
375	1"1/4	DFS404ST	42,8	32	29,5	22,8	66,68	93	31,75	78	88	50	M14x45	-	4150	2,37			
375	1"1/4	DFS404STL13	42,8	32	29,5	22,8	66,68	93	31,75	78	88	50	M12x45	1/2"x1"3/4	4150	2,37			
320	1"1/2	DFS405ST	48,6	38	34	28,0	79,38	112	36,50	94	110	60***	M16x55	5/8"x2"1/4	4187	3,87			
250	2"	DFS406ST	61,0	51	42,8	38,2	96,82	134	44,45	114	130	74	M20x70	3/4"x2"3/4	4225	6,75			
230	2"1/2	DFS507ST *	76,6	63	54	45,0	123,80	180	58,70	152	160	90	M24x80	7/8"x3"1/4	4275	15,30			
200	3"	DFS508ST *	90,0	73	67,7	58,4	152,40	208	71,40	178	180	110	M30x100	1"1/8"x3"1/2	4337	25,55			

PER QUESTA TIPOLOGIA DI PRODOTTO, VERIFICATE SEMPRE SE LA QUOTA "A" E "B" CORRISPONDE ALLA SCHEDULA DEL VOSTRO TUBO

FOR THIS KIND OF PRODUCT, PLEASE ALWAYS VERIFY IF DIMENSION "A" AND "B" CORRESPOND TO THE SCHEDULE OF YOUR TUBE

DESIGNAZIONE PER ORDINE DESIGNATION FOR ORDER	Materiale / Material	
	S355	AISI 316L
Flangia + controflangia + set viti metriche Flange + counter-flange + metric screws set	<b>DFS...STM</b>	<b>DFX...STM</b>
Flangia + controflangia + set viti unc Flange + counter-flange + unc screws set	<b>DFS...STU</b>	<b>DFX...STU</b>

**NOTE / NOTES**

\*set viti metriche disponibili solo metriche in acciaio al carbonio

\*metric screws set available only metric in carbon steel

\*\*SCH160 e SCHXXS 50 mm

\*\*\*SCH160 e SCHXXS 56 mm

set viti unc disponibili solo in acciaio al carbonio  
unc screws set available only in carbon steel